

American Standard

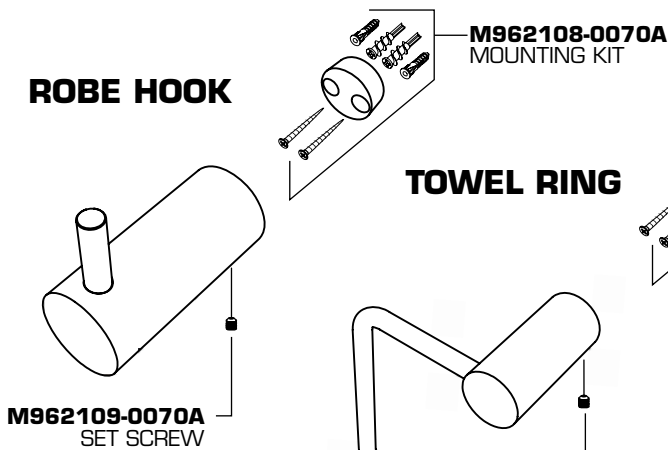
SERIN™ ACCESSORIES

- TOWEL RING
- ROBE HOOK
- SOAP DISH
- TUMBLER | TOOTHBRUSH HOLDER
- TOILET TISSUE HOLDER
- TOILET TISSUE HOLDER WITH COVER

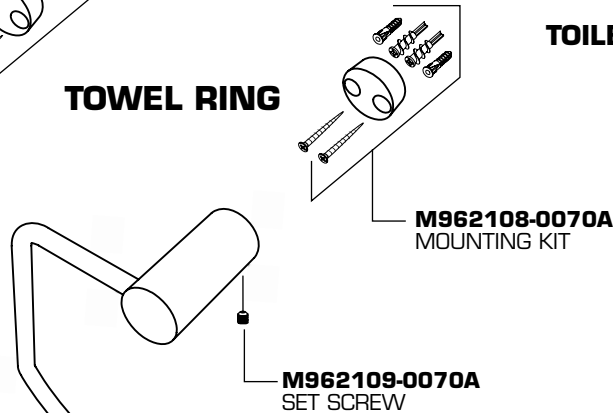
MODEL NUMBERS

2064.190
2064.210
2064.050
2064.091
2064.230
2064.290

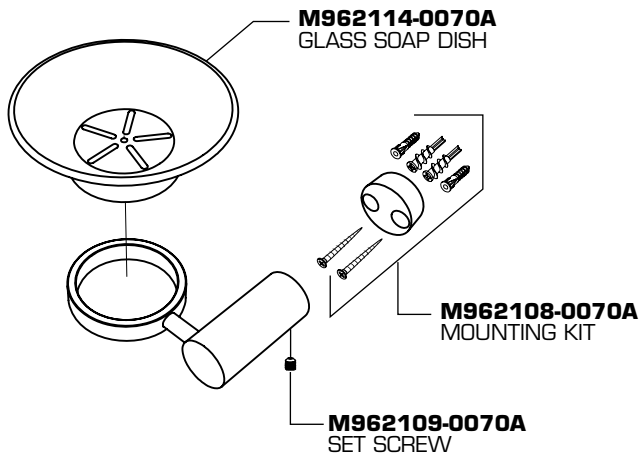
ROBE HOOK



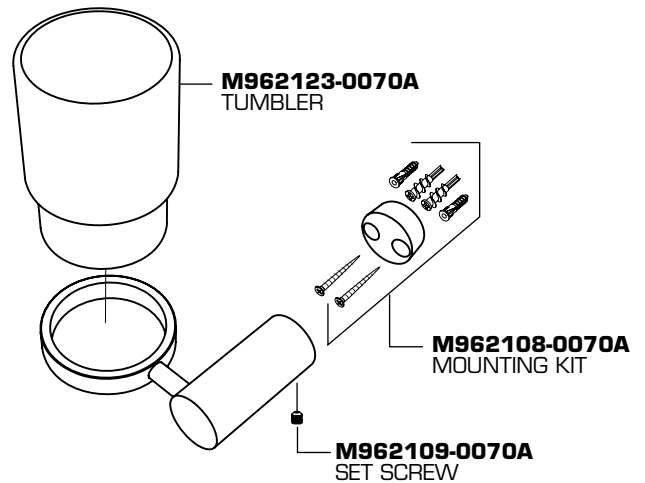
TOWEL RING



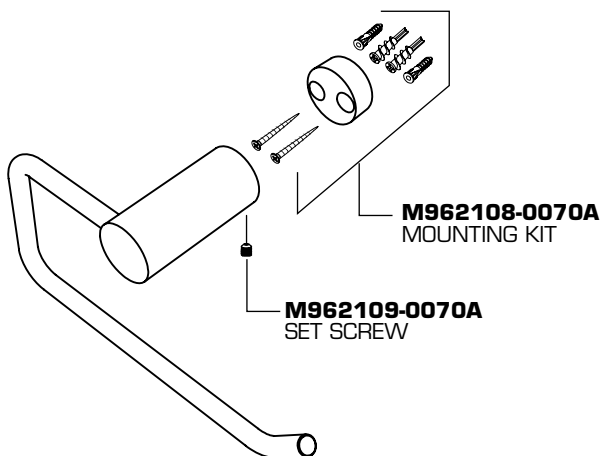
SOAP DISH



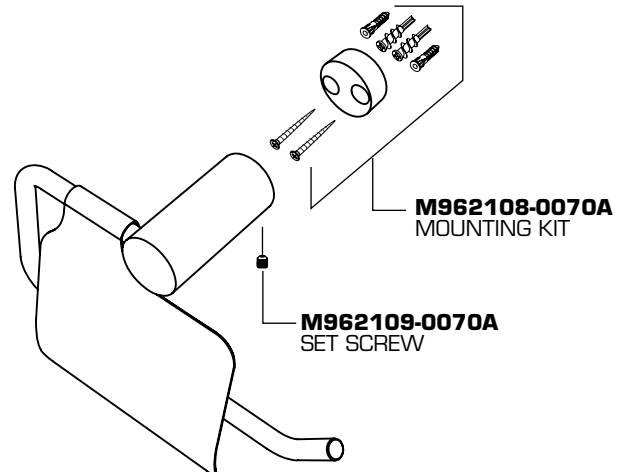
TUMBLER | TOOTHBRUSH HOLDER



TOILET TISSUE HOLDER



TOILET TISSUE HOLDER WITH COVER



CHROME	002
STAINLESS STEEL	075
SATIN NICKEL	295



HOT LINE FOR HELP
 For toll-free information and answers to your questions, call:
 1-800-442-1902
 Weekdays 8:00 a.m. to 8:00 p.m. EST
 IN MEXICO 01-800-839-12-00
 IN CANADA 1-800-387-0369 (TORONTO 1-905-306-1093)
 Weekdays 8:00 a.m. to 7:00 p.m. EST

Product names listed herein are trademarks of American Standard Inc.
 © AS America, Inc. 2009

M968902 Rev.1.2